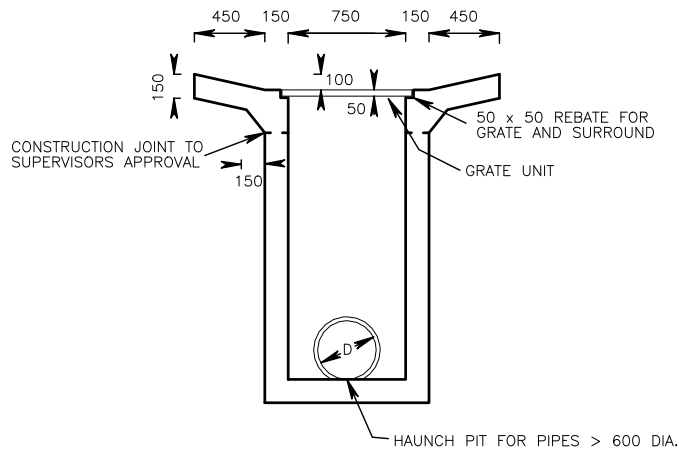
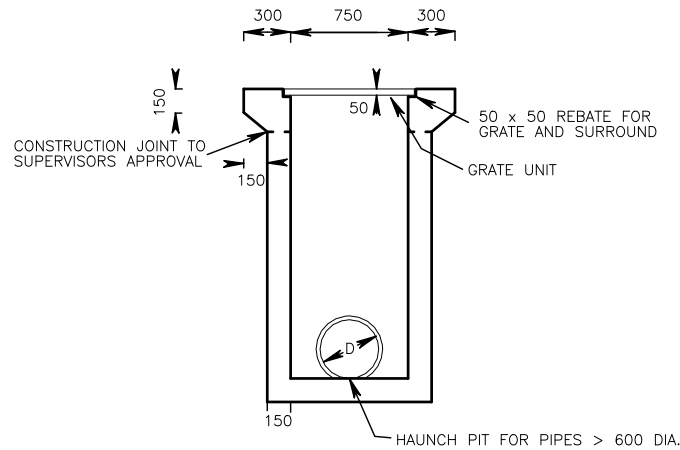


### NOTES

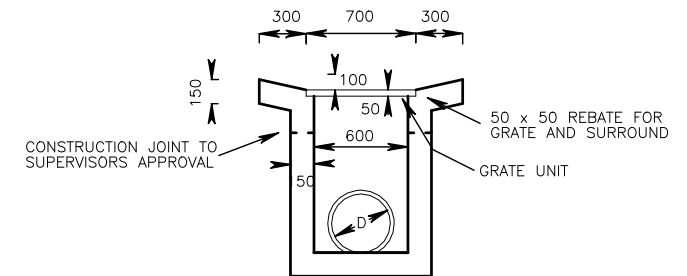
- Open weave grate shall be:
  - bicycle safe
  - non-clogging
  - Hydraulic performance > 50%
  - conforming AS 3996 (Class D)
- Grate and surround to be hot dip galvanised.
- Allowable tolerance between grate and surround to be 5 mm MAX.



DEPRESSED GRATE SECTION



FLUSH GRATE SECTION



600 X 600 DEPRESSED GRATE SECTION (1m MAX DEPTH)



#### GENERAL NOTES / CROSS REFERENCES

- All dimension in mm unless noted otherwise.
- Refer to pit schedule for individual pit sizes.
- Concrete strength shall be as specified.

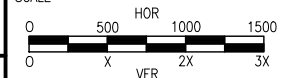
# Latrobe City

## GRATED JUNCTION PITS

CITY AUTHORISATION

VERSION/  
DATE OF PLOT 1/4/2015

SCALE



DWG No.

LCC 215

SHEET NO. 1 OF 1