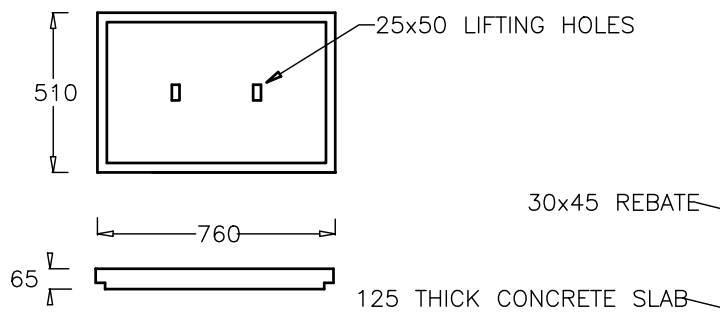
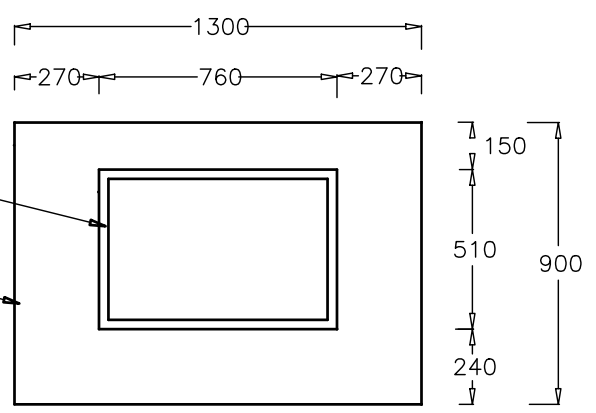


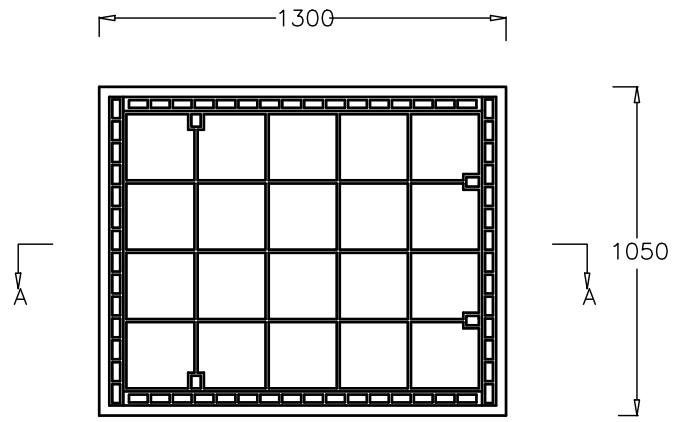
TYPE A1 – JUNCTION PIT
PRECAST CONCRETE LID & SURROUND



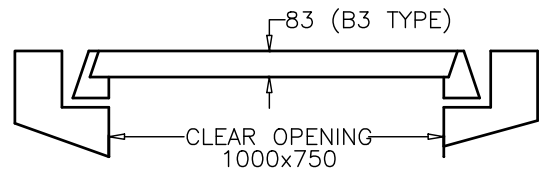
*NOTE: TYPE A COVERS SHALL TEST LOAD TO 100kN min



TYPE A2 – SIDE ENTRY PIT
PRECAST CONCRETE LID & SURROUND



TYPE B – JUNCTION PIT
CONCRETE INFILLED CAST IRON COVER & FRAME



SECTION A-A

*NOTE: TYPE B3 SHALL TEST LOAD TO 210kN min



GENERAL NOTES / CROSS REFERENCES

1. All dimensions in mm unless noted otherwise.
2. Chamfers are 15 x 15 unless shown otherwise.
3. Concrete strength shall be as specified.

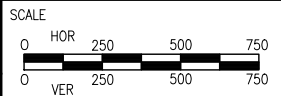
File name:

Latrobe City

PIT COVERS

CITY AUTHORISATION

VERSION/
DATE OF PLOT 1/4/2015



DWG No.
LCC 202
SHEET NO. 1 OF 1