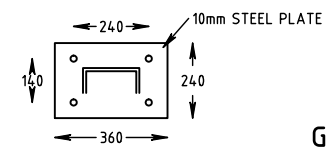
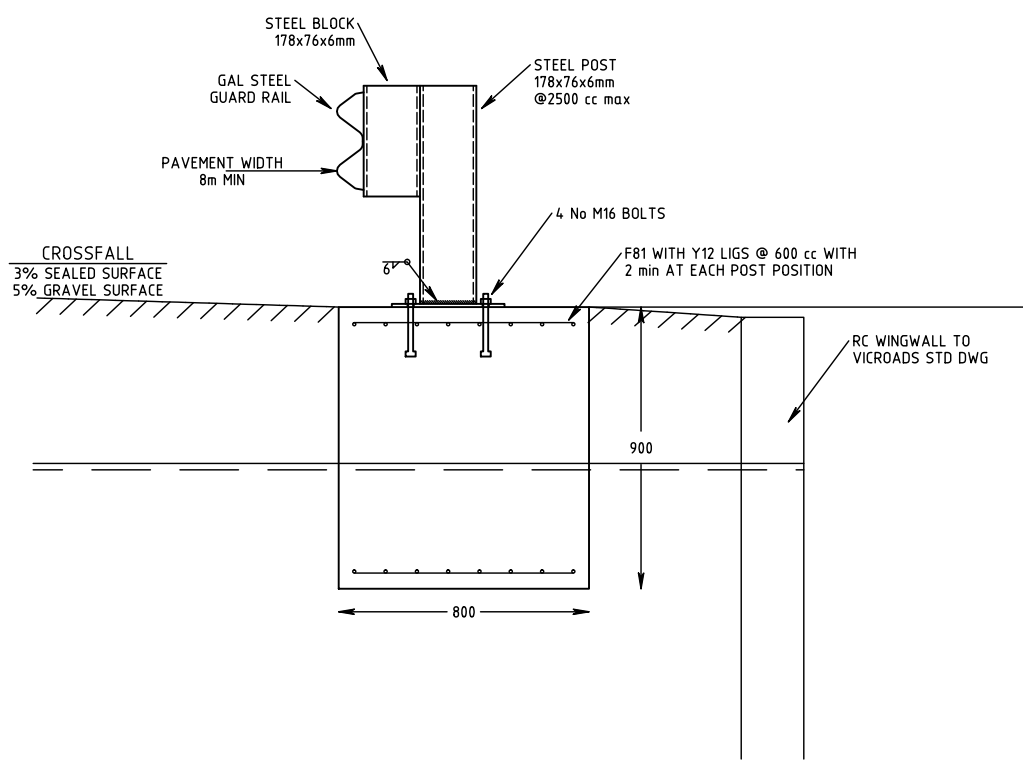


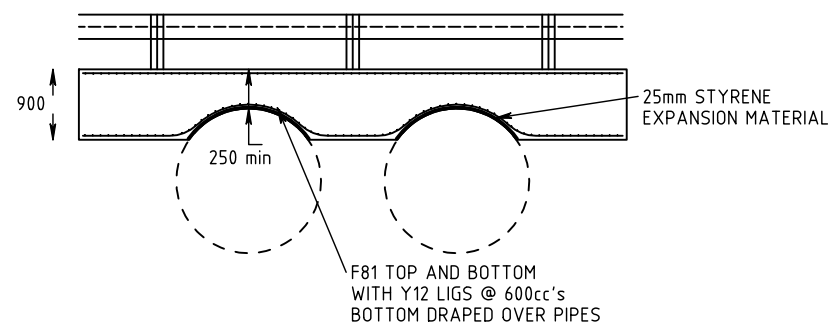
PLAN
SCALE 1:500



GUARD FENCE DETAIL AND
GROUND BEAM CROSS SECTION
SCALE 1:25



GROUND BEAM LONG SECTION
SCALE 1:100



GENERAL NOTES / CROSS REFERENCES

1. All dimensions in mm unless noted otherwise.
2. Chamfers are 15 x 15 unless shown otherwise.
3. Concrete strength shall be as specified.

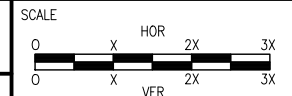
File name:

Latrobe City

GUARD FENCE GROUND BEAM

CITY AUTHORISATION

VERSION/
DATE OF PLOT 27/11/2003



DWG No.
LCC 505
SHEET NO. 1 OF 1