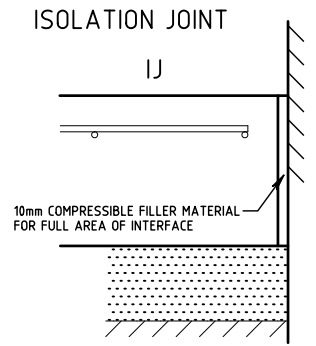
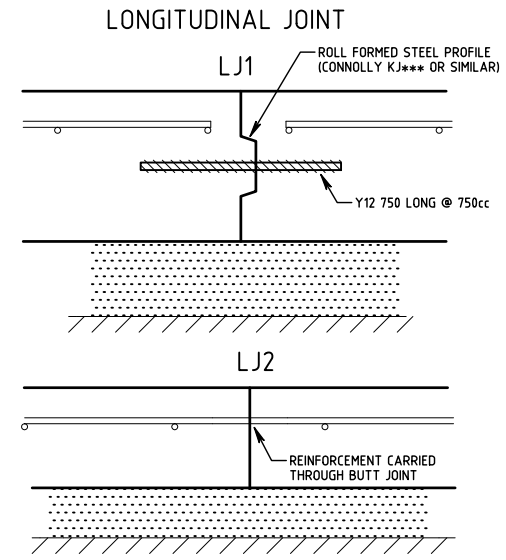
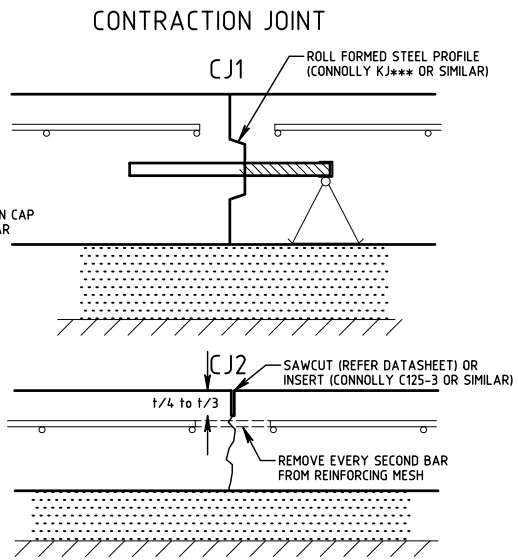
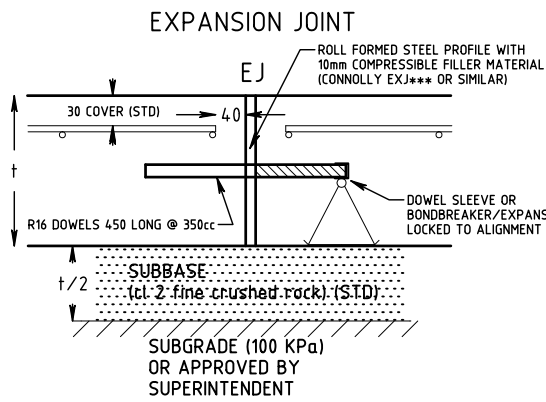


NOTE  
REFER CCAA DATASHEET  
Residential Concrete Driveways and Paths  
FOR FURTHER INFORMATION



GENERAL NOTES / CROSS REFERENCES

1. All dimensions in mm unless noted otherwise.
2. Chamfers are 15 x 15 unless shown otherwise.
3. Concrete strength shall be as specified.

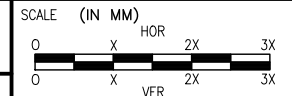
File name: LCC 401 pedestrian path.pro

# Latrobe City

## JOINTS IN CONCRETE PAVEMENTS FOR SLAB THICKNESS TO 200mm

CITY AUTHORISATION

VERSION/  
DATE OF PLOT 1/4/2015



DWG No. LCC 412  
SHEET NO. 1 OF 1