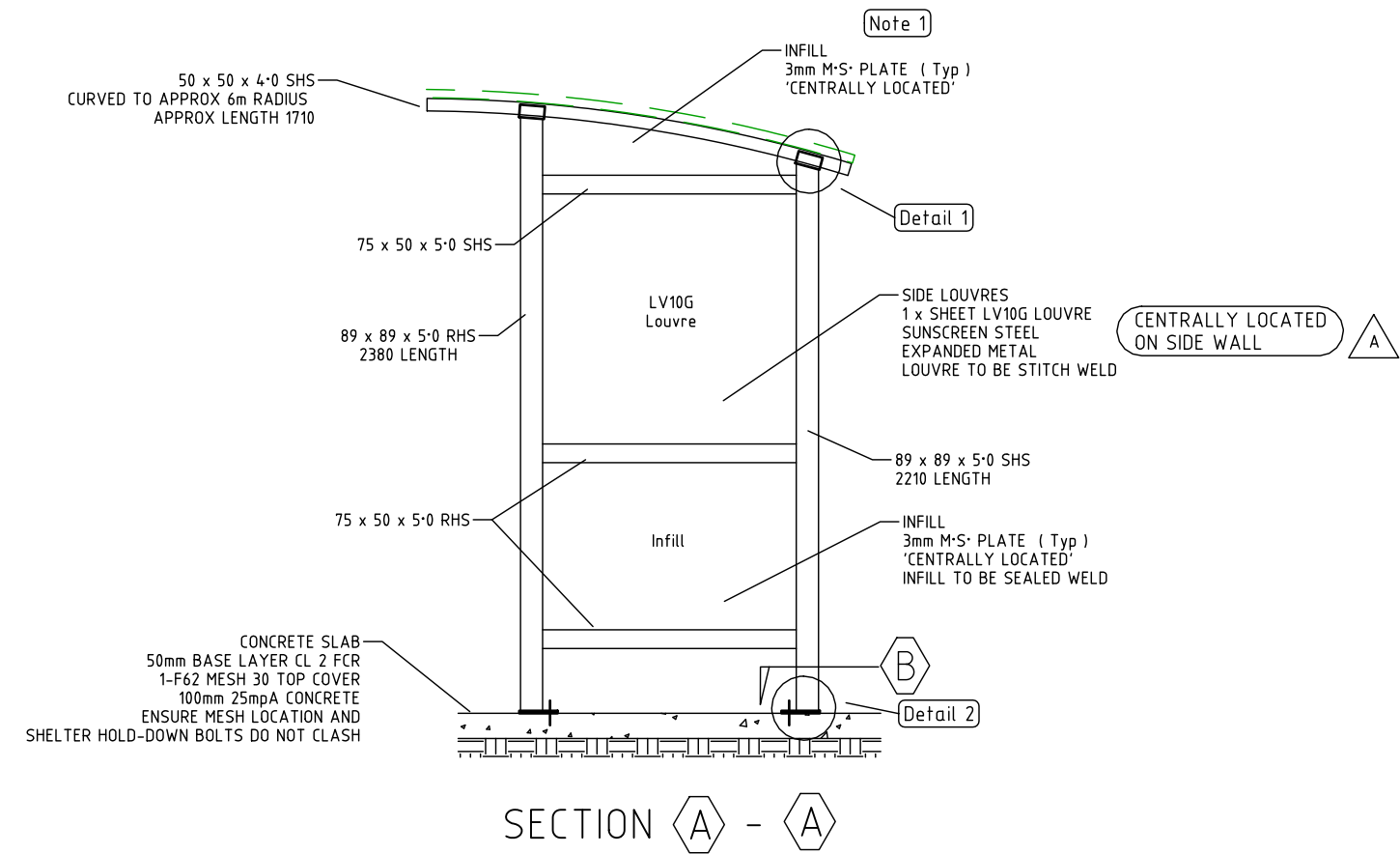
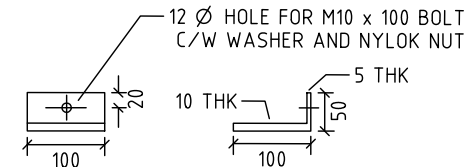


FRONT VIEW



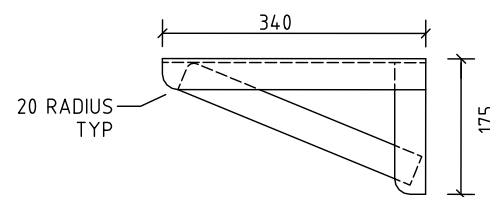
SECTION A - A

Detail 1



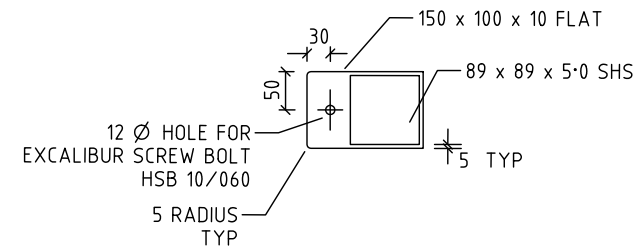
ROOF MOUNT BRACKET - 4 OFF  
SCALE 1:10

Detail 3



SEAT MOUNT BRACKET - 3 OFF  
40 x 40 x 5  
2 OFF 8 Ø HOLE FOR M6 x 25  
TO SUIT CAPRAL ALUMINIUM SEAT  
TYPE 861684 C/W END CAPS TYPE 300322  
SCALE 1:10

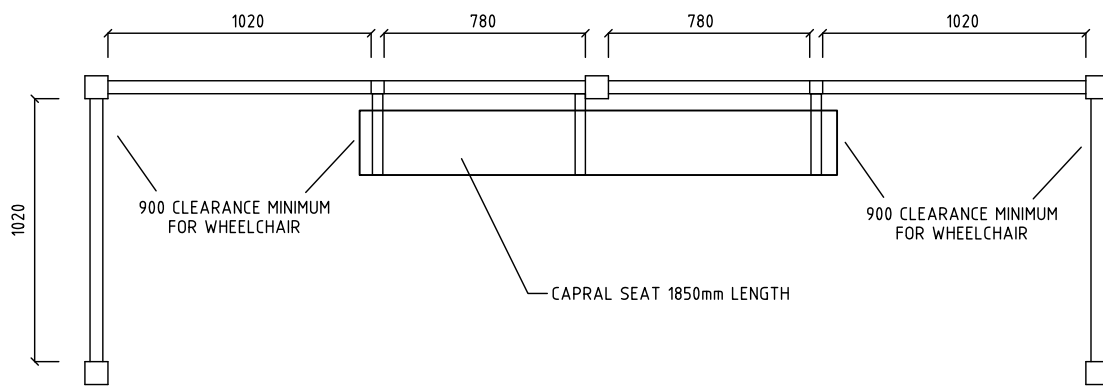
Detail 2



SECTION B  
SCALE 1:10

GENERAL NOTES

- 1 STRUCTURE TO BE POWDER COATED COLOUR = 'DUNE'
- 2 SEAT MOUNT - TRIM CAPRAL SEAT TO SUIT SUPPORT BRACKETS
- 3 TRIAL FIT ROOF FRAME TO SIDE PANEL AND ADJUST ANGLE MOUNTING BRACKET AS REQUIRED
- 4 ENSURE MINIMUM OF 1000 mm WIDE CONCRETE PATH TO SIDES AND FRONT OF THE BUS SHELTER TO PROVIDE WHEELCHAIR ACCESS AS PER AS 1428-1 CL 6-3



SECTION C - C

E		
D		
C		
B		
A	2/1/18	REVISED LV10G LOUVRE LOCATIONS
ISSUE	APPVD	DATE

GENERAL NOTES

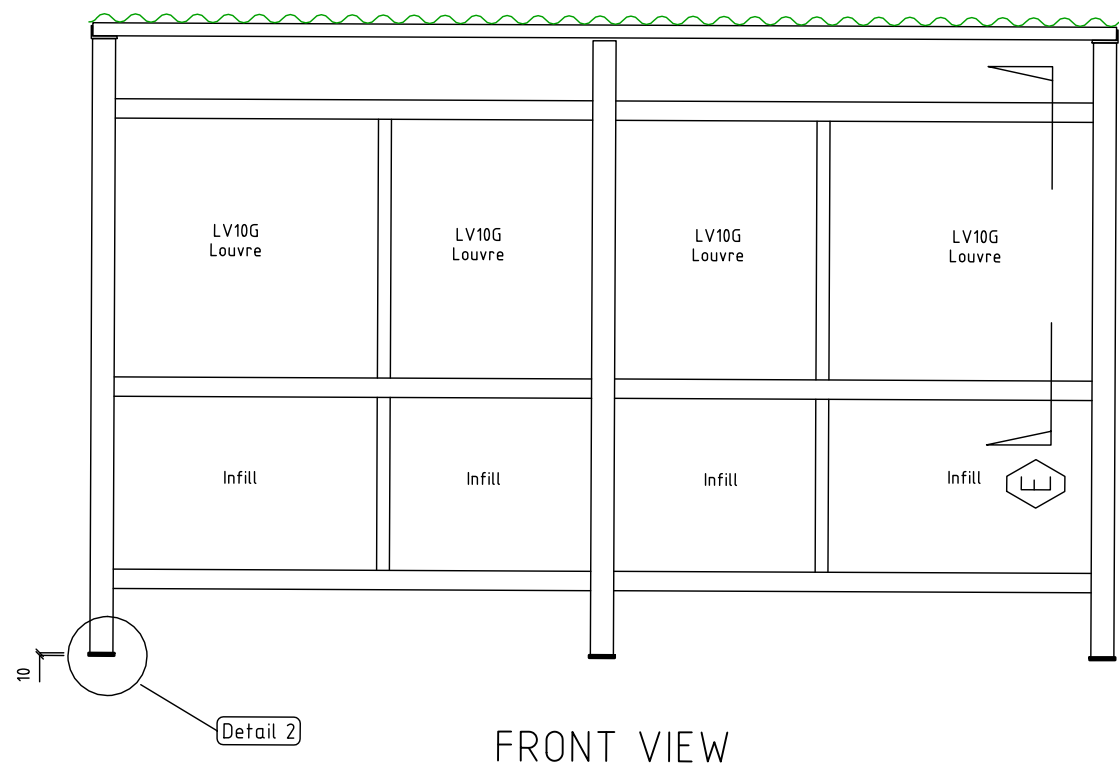


REFERENCES  
Survey File No SURVEY NO

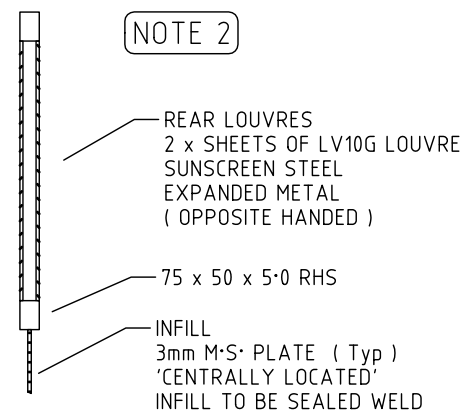
CONSULTANT'S CERTIFICATION  
DATE  
CITY AUTHORIZATION

URBAN BUS SHELTER  
TYPE 8  
(4m LENGTH)  
TWO WHEELCHAIR CAPACITY  
DESIGNED **N HAINES** CHECKED DATE OF PLOT 9/1/2018

SCALE OF METRES	
HOR 0 1 2 3	VER 0 1 2 3
DRAWING No. LCC 622/08	
SHEET NO. 1/2	ISSUE A



FRONT VIEW



NOTE 2

REAR LOUVRES  
2 x SHEETS OF LV10G LOUVRE  
SUNSCREEN STEEL  
EXPANDED METAL  
( OPPOSITE HANDED )

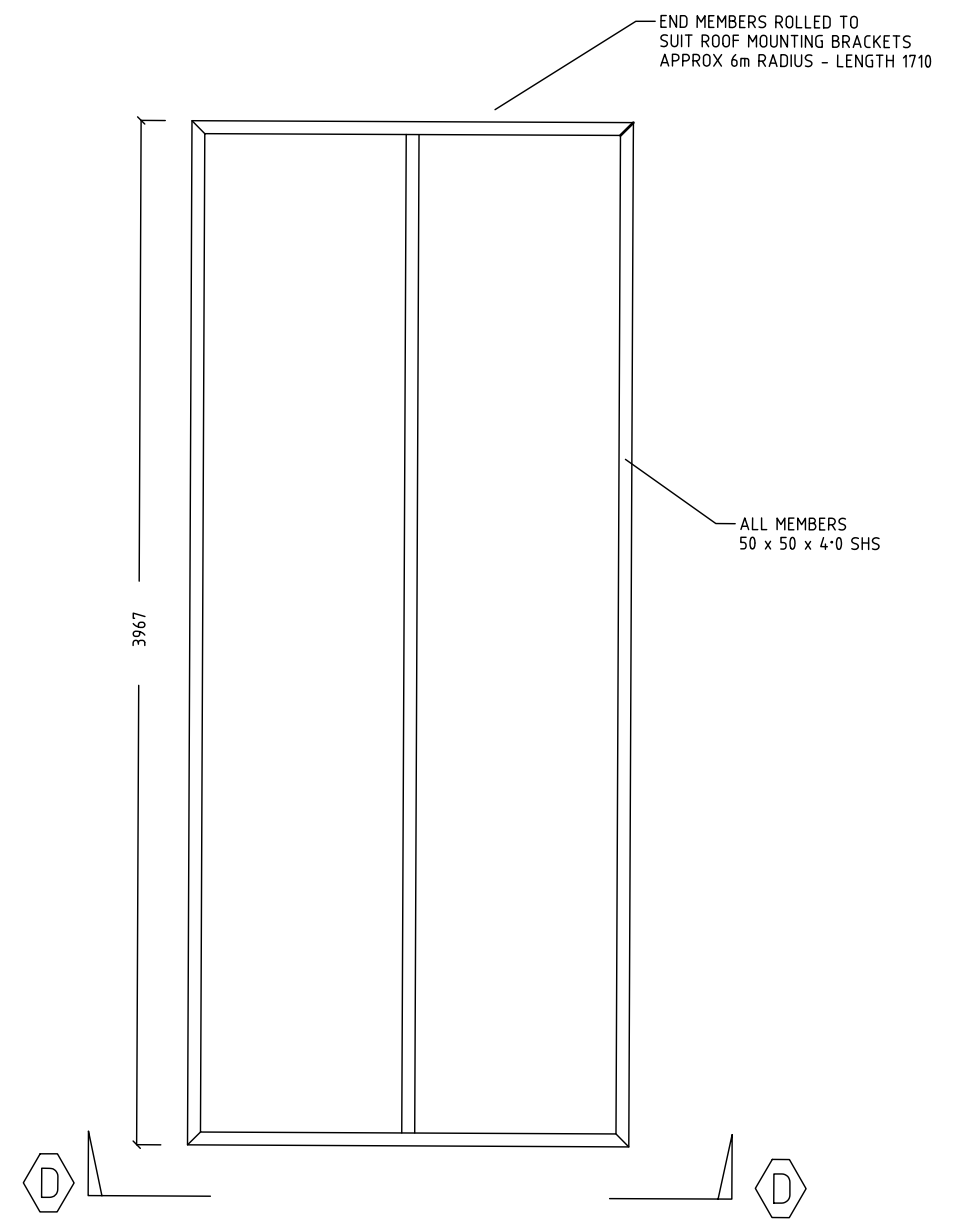
75 x 50 x 5.0 RHS

INFILL  
3mm M.S. PLATE ( Typ )  
'CENTRALLY LOCATED'  
INFILL TO BE SEALED WELD

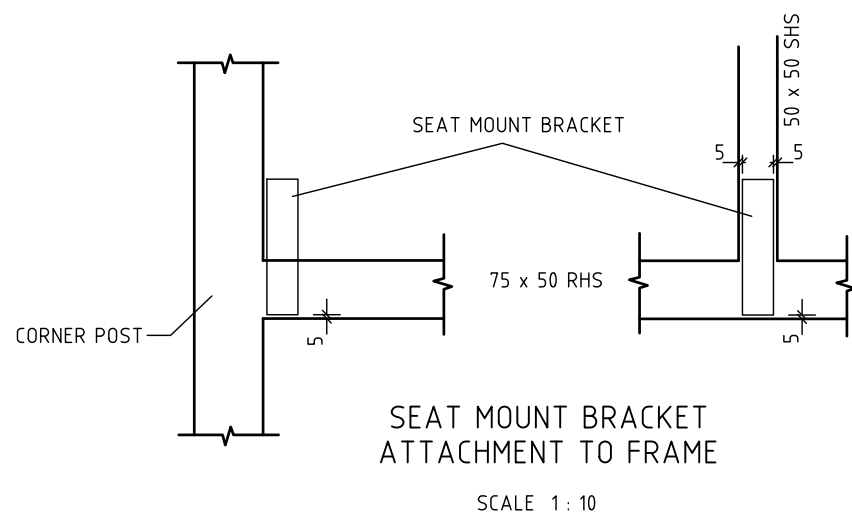
Detail 3  $\triangle$  A

SECTION  $\diamond$  E

SCALE 1:10

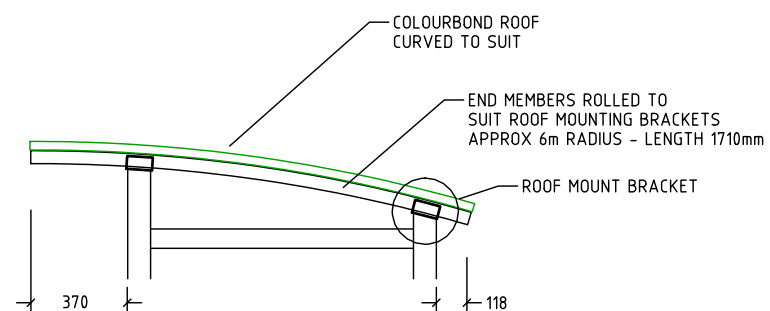


ROOF FRAMING

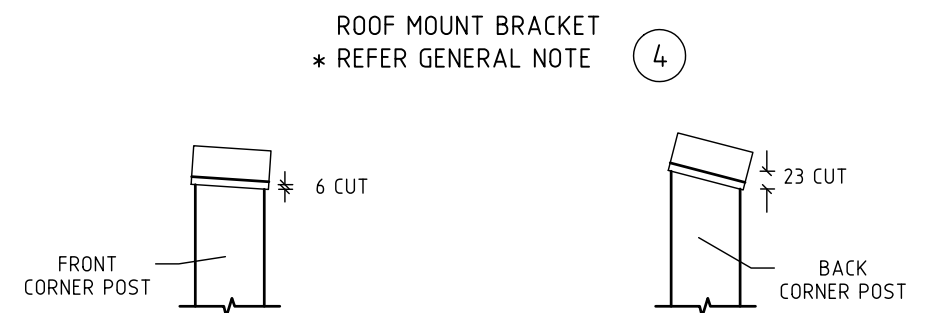


SEAT MOUNT BRACKET ATTACHMENT TO FRAME

SCALE 1 : 10



SECTION  $\diamond$  D -  $\diamond$  D



SECTION  $\diamond$  E -  $\diamond$  E

SCALE 1 : 10

E			
D			
C			
B			
A	2/1/18	REVISED LV10G LOUVRE LOCATIONS	
ISSUE	APPVD	DATE	

GENERAL NOTES



REFERENCES

Survey File No SURVEY NO

CONSULTANT'S CERTIFICATION

DATE

CITY AUTHORIZATION

DATE

URBAN BUS SHELTER  
TYPE 8  
( 4m LENGTH )  
TWO WHEELCHAIR CAPACITY

DESIGNED **N HAINES** CHECKED DATE OF PLOT 9/1/2018

SCALE OF METRES	
HOR 0 1 2 3	VER 0 1 2 3
DRAWING No. LCC 622/08	
SHEET NO. 2/2	ISSUE A