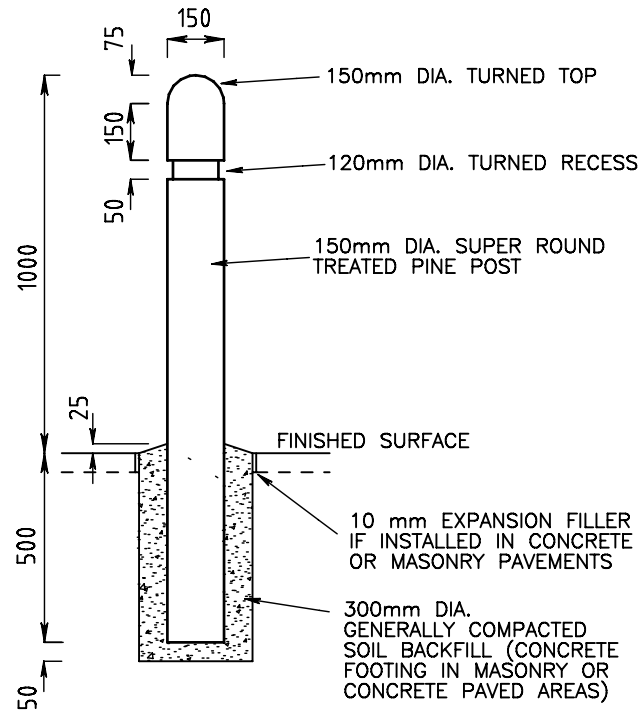
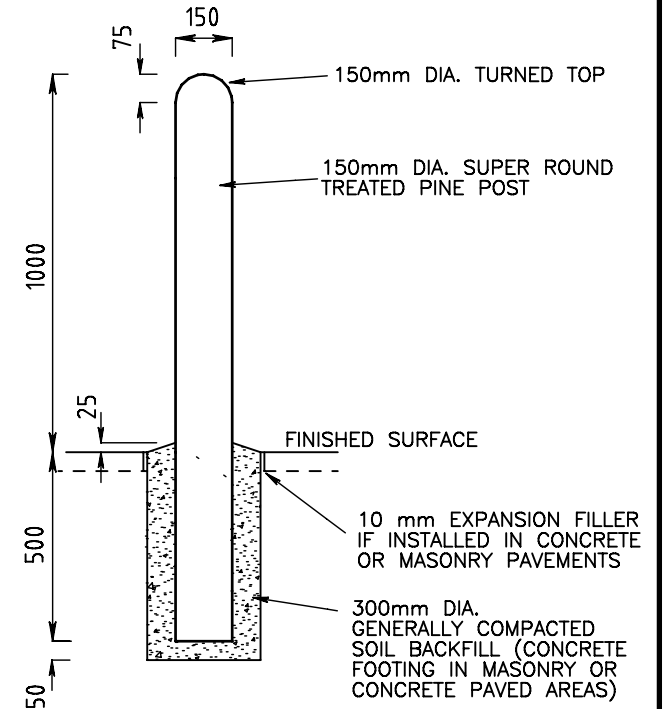


TYPE 1

- PAINTED AS FOLLOWS:
 BOLLARD - DEEP BRUNSWICK GREEN
 REBATES - WHITE



TYPE 2



TYPE 5



GENERAL NOTES / CROSS REFERENCES

1. All dimensions in mm unless otherwise noted.
2. All timber to be free of large knots and splinters
3. Concrete strength as per specification or min. 25 MPa if not specified elsewhere.
4. Timber to be treated as specified.

Latrobe City

WOODEN BOLLARDS
 TYPES 1, 2 & 5

CITY AUTHORISATION

VERSION/
 DATE OF PLOT 27/05/2008

SCALE 1:20 (A4)



DWG No.

LCC 635

SHEET No. 1 OF 1