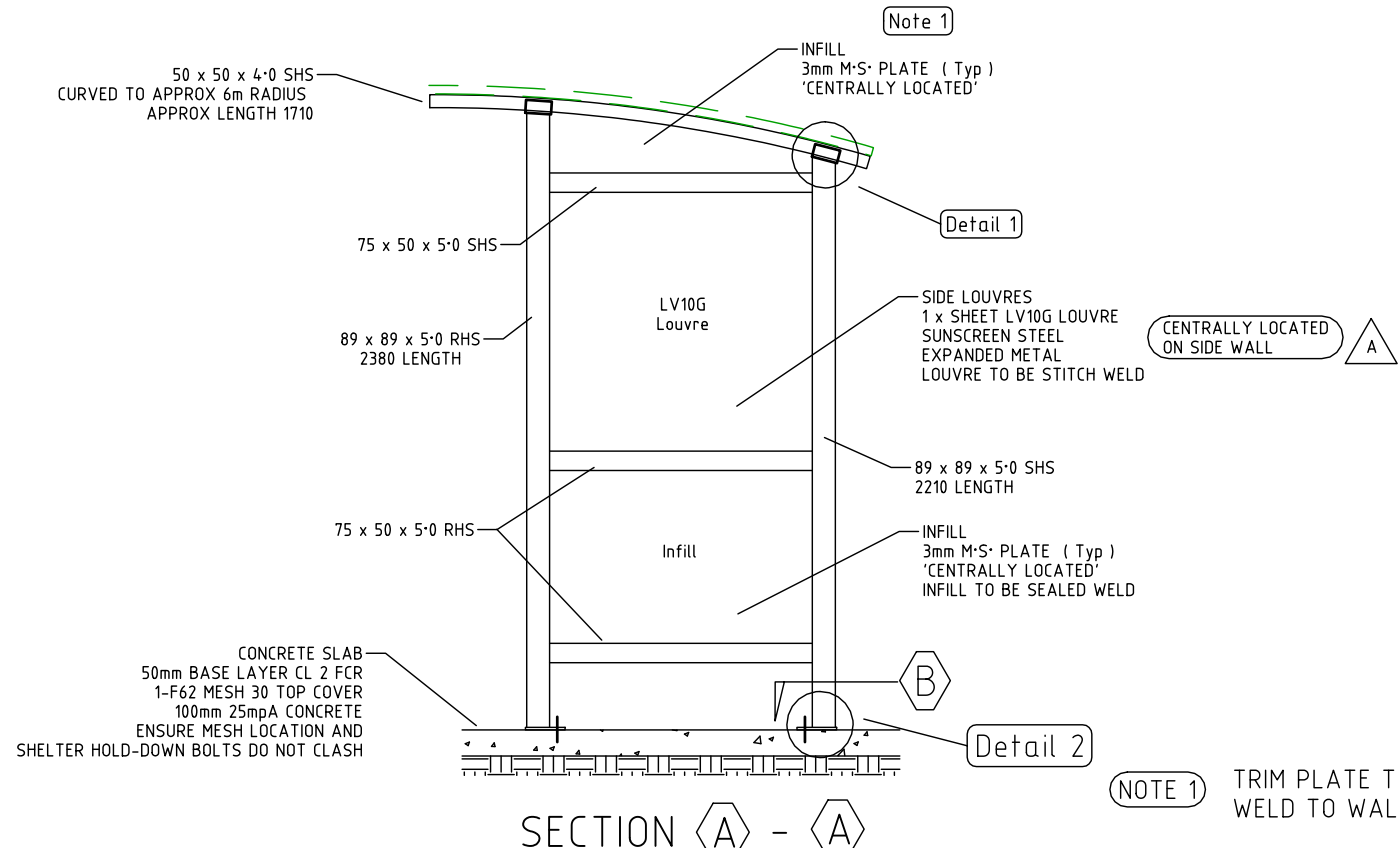


FRONT VIEW

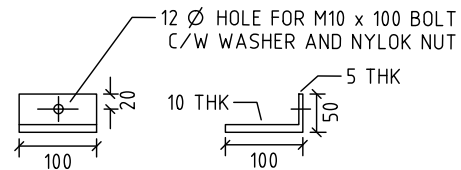


SECTION A - A

- NOTE 1** TRIM PLATE TO SUIT ROOF PROFILE WELD TO WALL FRAME ONLY
- NOTE 2** EXPANDED METAL SHEETS TO BE SET AS OPPOSITE HANDED ENSURE THAT OPENINGS ARE OPPOSITE AND ALLOW VISION THROUGH LOUVRES
- NOTE 3** ROOF SHEET TO FINISH ON DOWN SLOPE AT ENDS

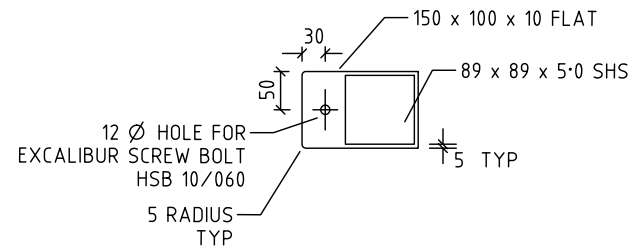
- NOTE 1** TRIM PLATE TO SUIT ROOF PROFILE WELD TO WALL FRAME ONLY
- NOTE 2** EXPANDED METAL SHEETS TO BE SET AS OPPOSITE HANDED ENSURE THAT OPENINGS ARE OPPOSITE AND ALLOW VISION THROUGH LOUVRES
- NOTE 3** ROOF SHEET TO FINISH ON DOWN SLOPE AT ENDS

Detail 1



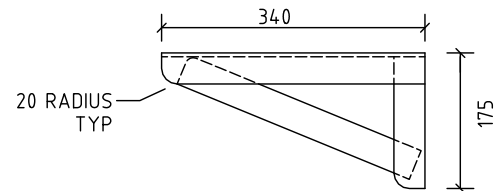
ROOF MOUNT BRACKET - 4 OFF  
SCALE 1 : 10

Detail 2

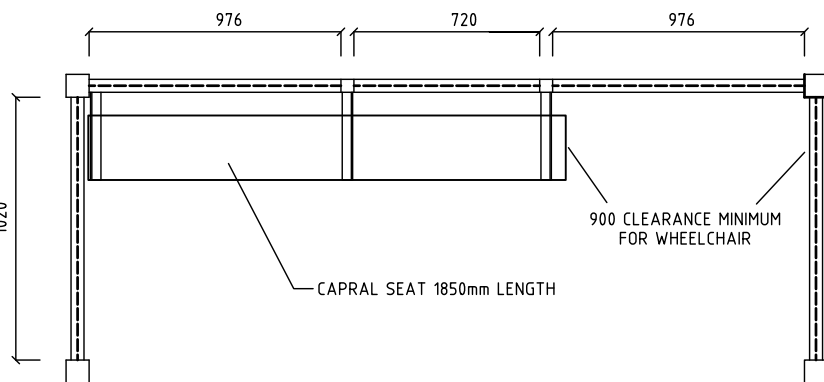


SECTION B - B  
SCALE 1 : 10

Detail 3



SEAT MOUNT BRACKET - 3 OFF  
40 x 40 x 5  
2 OFF 8 Ø HOLE FOR M6 x 25  
TO SUIT CAPRAL ALUMINIUM SEAT  
TYPE 861684 C/W END CAPS TYPE 300322  
SCALE 1 : 10



SECTION C - C

GENERAL NOTES

- 1 STRUCTURE TO BE POWDER COATED COLOUR = 'DUNE'
- 2 SEAT MOUNT - TRIM CAPRAL SEAT TO SUIT SUPPORT BRACKETS
- 3 TRIAL FIT ROOF FRAME TO SIDE PANEL AND ADJUST ANGLE MOUNTING BRACKET AS REQUIRED
- 4 ENSURE MINIMUM OF 1000 mm WIDE CONCRETE PATH TO SIDES AND FRONT OF THE BUS SHELTER TO PROVIDE WHEELCHAIR ACCESS AS PER AS 1428:1 CL 6.3

E			
D			
C			
B			
A	2/1/18	REVISED LV10G LOUVRE LOCATIONS	
ISSUE	APPVD	DATE	

GENERAL NOTES	

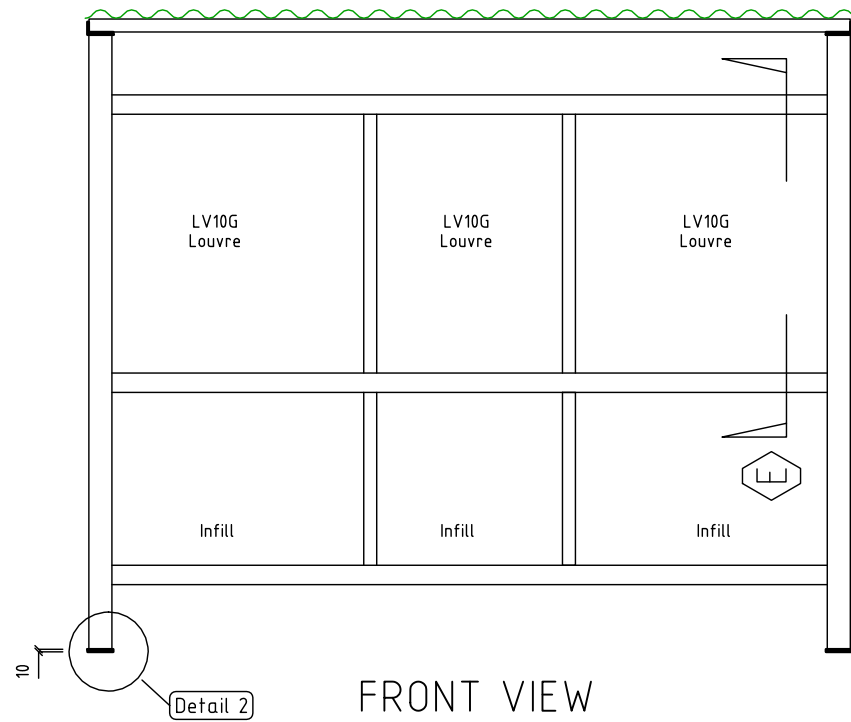


REFERENCES
Survey File No SURVEY NO

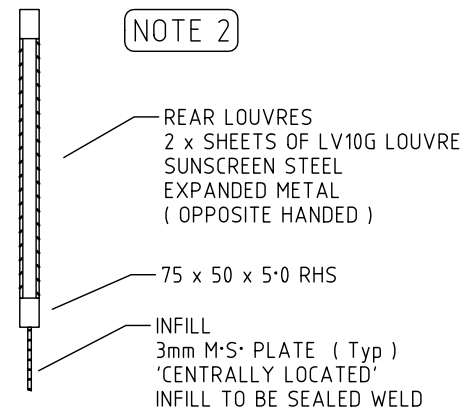
CONSULTANT'S CERTIFICATION
DATE
CITY AUTHORIZATION
DATE

URBAN BUS SHELTER TYPE 7 ( 3m LENGTH ) SINGLE WHEELCHAIR CAPACITY	
DESIGNED	N HAINES
CHECKED	
DATE OF PLOT	9/1/2018

SCALE OF METRES	
HOR 0 1 2 3	VER 0 1 2 3
DRAWING No. LCC 622/07	
SHEET NO. 1/2	ISSUE A



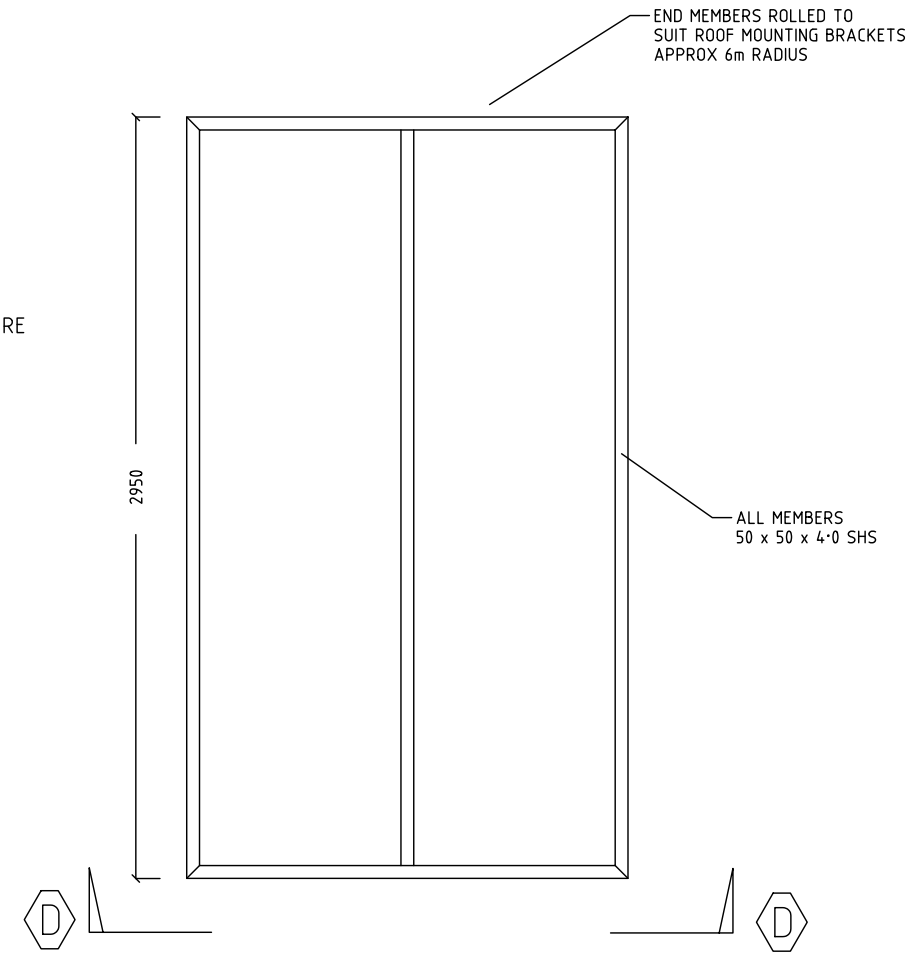
FRONT VIEW



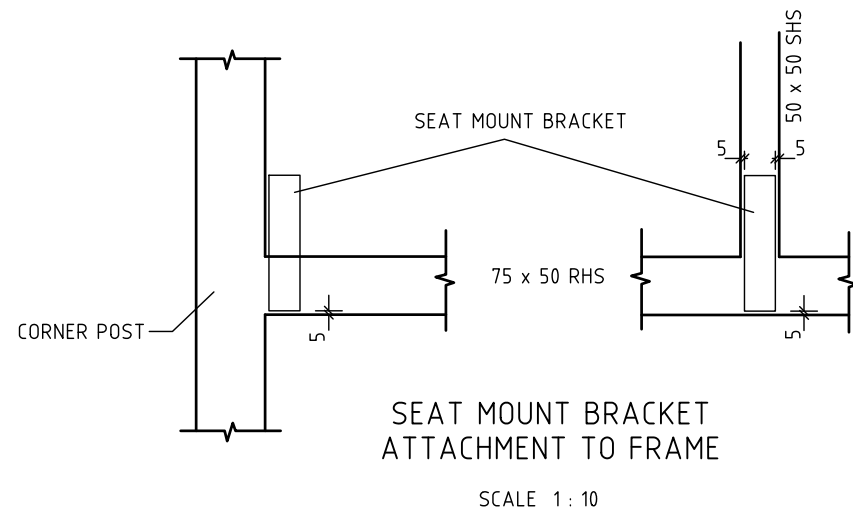
NOTE 2

Detail 3 A

SECTION E  
SCALE 1:10

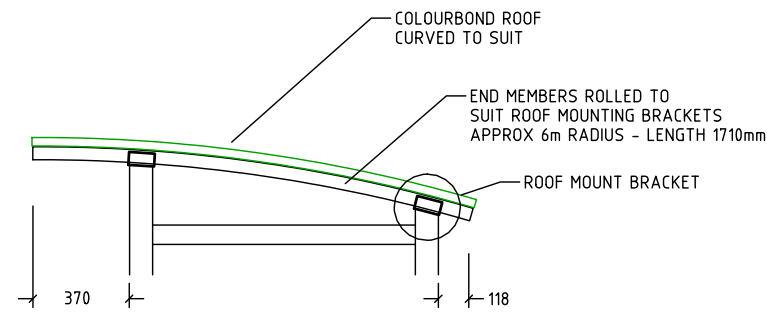


ROOF FRAMING



SEAT MOUNT BRACKET ATTACHMENT TO FRAME

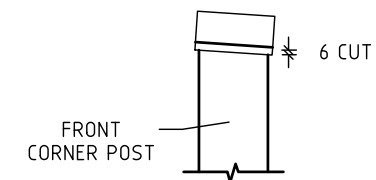
SCALE 1:10



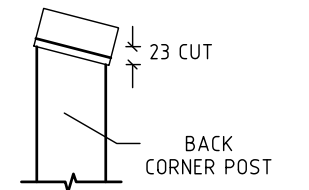
SECTION D - D

ROOF MOUNT BRACKET  
\* REFER GENERAL NOTE

4



FRONT CORNER POST



BACK CORNER POST

SECTION D - D  
SCALE 1:10

E			
D			
C			
B			
A	2/1/18	REVISED LV10G LOUVRE LOCATIONS	
ISSUE	APPVD	DATE	

GENERAL NOTES



REFERENCES  
Survey File No SURVEY NO

CONSULTANT'S CERTIFICATION  
DATE  
CITY AUTHORIZATION

URBAN BUS SHELTER  
TYPE 7  
( 3m LENGTH )  
SINGLE WHEELCHAIR CAPACITY

DESIGNED **N HAINES** CHECKED DATE OF PLOT 9/1/2018

SCALE OF METRES	
HOR 0 1 2 3	VER 0 1 2 3
DRAWING No. LCC 622/07	
SHEET NO. 2/2	ISSUE A